

Linear

MIMI Glow R020 Fixture Guide

KKDÖ

Indoor/Outdoor | Surface | Output up to 621lm/m (189lm/ft)

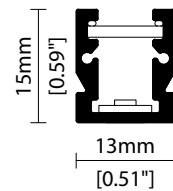


Key applications

- ✓ Architectural detail
- ✓ Bathrooms
- ✓ Building facades
- ✓ Cove lighting
- ✓ Direct lighting
- ✓ Exterior
- ✓ Hand rail
- ✓ Wet area

Key features

- ✓ Adjustable
- ✓ Custom lengths
- ✓ Constant Voltage (CV)
- ✓ Diffusion: homogenous
- ✓ Direct view
- ✓ Extensive CCT range
- ✓ IP44 moisture resistant
- ✓ IP67 waterproof
- ✓ Nano louvre



MOUNTING METHODS



KKCP-14 Lock clip



KKBK-24 Adjustable bracket



EB End Cap Bracket

Linear

MIMI Glow R020

Specification sheet



Dimensions	H15/W13/L103-2020mm* (H0.59/W0.51/L4.05-79.53in*) *Nano Louvre = 1020mm/40.16in Max
PCB Cut-point	41.7mm increment/2000mm max (1.64in increment/78.74in max*) *Nano Louvre = 1000mm/39.37in Max
LED Pitch	6.95mm-144LED/m (0.27in - 44LED/ft)
Chip	s-line k-line
Cover/Optics	Diffused (86°)/Nano louvre (35°)
CCT	s-line: 1900K/2100K/2300K/2500K/2700K/3000K/3500K/4000K/5000K k-line: 1900K/2100K/2300K/2500K/2700K/3000K/3500K/4000K/5000K
LED binning	s-line: 2-step MacAdam ellipse k-line: 3-step MacAdam ellipse
CRI	≥ 90
Lifetime	50,000 hours @ 25°C (50,000 hours @ 77°F)
Operating temp	T _a = -25 to 45°C (T _c max = 76°C) T _a = -13 to 122°F (T _c max = 169°F)
IP Rating	IP44/IP67
Finish	Silver anodised
Mounting	Surface mounting lock clip or adjustable bracket
Power feed	Sheathed hardwire tails or male/female connectors
Control	0-10V/1-10V/DMX/DALI



LED Grading Key

Exclusive Grade

s s-line*	*KKDC tuned CCT range
2-step CCT range	

Base Grade

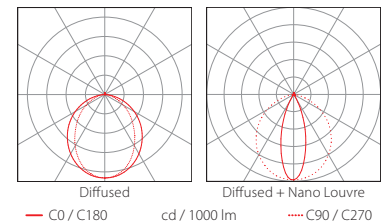
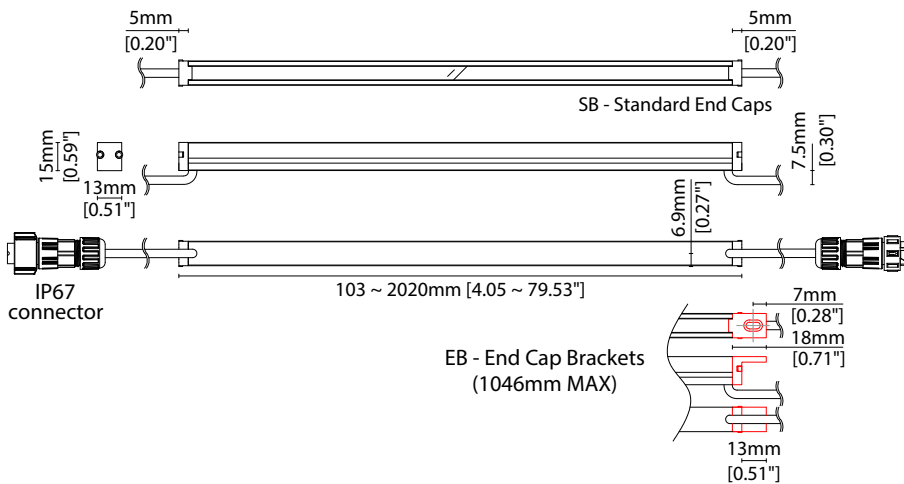
k k-line	3-step commercial range Energy Star CCTs
-----------------	---

Power consumption	Supply voltage	Supply current
20W/m (6.10W/ft)	24V DC	0.83A/m (0.25A/ft)

Performance Data (3000K)

	R1	R2	R3	R4	R5	R6	R7	R8	R9	R10	R11	R12	R13	R14
k-line	94	97	98	93	93	96	92	83	60	93	94	82	95	99

	Diffused	Diffused + Nano Louvre	CRI	R9	Rf	Rg
s-line	621lm/m (189lm/ft) 31.1lm/w	187lm/m (57lm/ft) 9.3lm/w	93	61	-	-
k-line	586lm/m (179lm/ft) 29.3lm/w	176lm/m (54lm/ft) 8.8lm/w	92	60	-	-



Data derived from independent UKAS / IESNA LM-79-08 accredited testing of production samples.

MIMI Glow R020

Code Table



FIXTURE

Model	Finish	Cover ¹	Grade ²	LED	Colour (CCT)	Length Availability ³	IP	Cable Length	Power Feed ⁴	Fixing	Input		
MIMI Glow	MG Silver Anodised	SA Diffused Diffused + Nano Louvre ⁵	C s CN k	R020	R020	1900K 19	m 103.3-2020mm 41.7mm increments i 4.07-79.53in 1.64in increments (Specify length code OR total run length)	IP44 44 IP67 ⁶ 67	300mm/ 11.81"	0300	Single ø4.3mm sheath tail S00A Double ø4.3mm sheath tail D00A Single ø4.3mm sheath IP67 connector S67A Double ø4.3mm sheath IP67 connector D67A	Standard End Cap SB End Cap Bracket EB	DC 24V g
					2100K 21								
					2300K 23								
					2500K 25								
					2700K 27								
					3000K 30								
					3500K 35								
					4000K 40								
					5000K 50								

¹ Refer to **Cover Options** on **Options** pages

² Refer to **LED Grading Key** on **Specification sheet** page

³ Refer to **Length Availability List** or enter total run length instead of length code

⁴ Refer to **Power Feed Options** on **Options** pages

⁵ Max length available with Nano Louvre is 1020mm

⁶ Due to the clear, flush potted polyurethane top layer on IP67 MIMI Glow a colour shift of +/-20K should be expected

Code Example:

MG	-	SA	-	CN	-	k	-	R020	-	35	-	m	520	-	44	-	0300	-	S00A	-	EB	-	g
MIMI Glow		Silver Anodised		Diffused + Nano Louvre				R020		3500K		520.3mm		IP44		300mm/11.81"		Single ø4.3mm sheath tail		End Cap Bracket		DC 24V	

ACCESSORIES

Mounting Accessories

KKCP-14	Lock Clip
KKBK-24	Adjustable bracket

* Refer to **Mounting accessories** on **Accessories** pages

Connection Accessories

CN67-2P-0300	IP67 2 PIN male & female 300mm/11.81" pair
CN67-2P-1000	IP67 2 PIN male & female 1000mm/39.37" pair
CN67-2P-3000	IP67 2 PIN male & female 3000mm/118.11" pair

* Refer to **Power feed** on **Accessories** pages

Exterior Junction Boxes

KKJB-07	IP67 Slim J-Box
KKJB-07R	Potting Resin for IP67 Slim J-Box

* Refer to **Exterior Junction Boxes** on **Accessories** pages

PSU/Driver

0-10V/1-10V/DALI/DMX

* Refer to **Driver/PSU Options** page for details or provide requirement and KKDC to offer the suitable option

LED ENGINE VARIANTS (LED STRIP TYPE)

Colour	LED	Lumen/m	Lumen/ft	W/m	W/ft	Spec Doc	Length	Increment
Single CCT	A010	420	128	10	3.05	MIMI Glow A010	97-2020mm (3.82-79.53in)	38.46 (1.51in)
	R020	621	189	20	6.1	MIMI Glow R020	103-2020mm (4.05-79.53in)	41.7mm (1.64in)
	A020	840	256	20	6.1	MIMI Glow A020	97-2020mm (3.82-79.53in)	38.46 (1.51in)

* Performance data: A/k-line, diffused cover, 3000K

MIMI Glow R020

Length Availability List



Length Code		Fixture Length ¹		LED Strip ²		End Cap Dimension		Wattage (W)	Output (lm)
Metric	Imperial(US)	Metric	Imperial(US)	Metric	Imperial(US)	Metric	Imperial(US)		3000K (Test Data)
m0103	i0004	103mm	4.07in	83mm	3.28in	10mm	0.39in	1.67	95
m0145	i0006	145mm	5.71in	125mm	4.92in	10mm	0.39in	2.50	143
m0187	i0007	187mm	7.35in	167mm	6.56in	10mm	0.39in	3.33	190
m0228	i0009	228mm	8.99in	208mm	8.20in	10mm	0.39in	4.17	237
m0270	i0011	270mm	10.63in	250mm	9.84in	10mm	0.39in	5.00	285
m0312	i0012	312mm	12.27in	292mm	11.48in	10mm	0.39in	5.83	332
m0353	i0014	353mm	13.91in	333mm	13.12in	10mm	0.39in	6.67	380
m0395	i0016	395mm	15.55in	375mm	14.76in	10mm	0.39in	7.50	427
m0437	i0017	437mm	17.19in	417mm	16.40in	10mm	0.39in	8.33	475
m0478	i0019	478mm	18.83in	458mm	18.04in	10mm	0.39in	9.17	522
m0520	i0020	520mm	20.47in	500mm	19.69in	10mm	0.39in	10.00	570
m0562	i0022	562mm	22.11in	542mm	21.33in	10mm	0.39in	10.83	617
m0603	i0024	603mm	23.75in	583mm	22.97in	10mm	0.39in	11.67	665
m0645	i0025	645mm	25.39in	625mm	24.61in	10mm	0.39in	12.50	712
m0687	i0027	687mm	27.03in	667mm	26.25in	10mm	0.39in	13.33	760
m0728	i0029	728mm	28.67in	708mm	27.89in	10mm	0.39in	14.17	807
m0770	i0030	770mm	30.31in	750mm	29.53in	10mm	0.39in	15.00	855
m0812	i0032	812mm	31.96in	792mm	31.17in	10mm	0.39in	15.83	902
m0853	i0034	853mm	33.60in	833mm	32.81in	10mm	0.39in	16.67	950
m0895	i0035	895mm	35.24in	875mm	34.45in	10mm	0.39in	17.50	997
m0937	i0037	937mm	36.88in	917mm	36.09in	10mm	0.39in	18.33	1045
m0978	i0039	978mm	38.52in	958mm	37.73in	10mm	0.39in	19.17	1092
m1020	i0040	1020mm	40.16in	1000mm	39.37in	10mm	0.39in	20.00	1140
m1062	i0042	1062mm	41.80in	1042mm	41.01in	10mm	0.39in	20.83	1187
m1103	i0043	1103mm	43.44in	1083mm	42.65in	10mm	0.39in	21.67	1235
m1145	i0045	1145mm	45.08in	1125mm	44.29in	10mm	0.39in	22.50	1282
m1187	i0047	1187mm	46.72in	1167mm	45.93in	10mm	0.39in	23.33	1330
m1228	i0048	1228mm	48.36in	1208mm	47.57in	10mm	0.39in	24.17	1377
m1270	i0050	1270mm	50.00in	1250mm	49.21in	10mm	0.39in	25.00	1425
m1312	i0052	1312mm	51.64in	1292mm	50.85in	10mm	0.39in	25.83	1472
m1353	i0053	1353mm	53.28in	1333mm	52.49in	10mm	0.39in	26.67	1520
m1395	i0055	1395mm	54.92in	1375mm	54.13in	10mm	0.39in	27.50	1567
m1437	i0057	1437mm	56.56in	1417mm	55.77in	10mm	0.39in	28.33	1615
m1478	i0058	1478mm	58.20in	1458mm	57.41in	10mm	0.39in	29.17	1662
m1520	i0060	1520mm	59.84in	1500mm	59.06in	10mm	0.39in	30.00	1710
m1562	i0061	1562mm	61.48in	1542mm	60.70in	10mm	0.39in	30.83	1757
m1603	i0063	1603mm	63.12in	1583mm	62.34in	10mm	0.39in	31.67	1805
m1645	i0065	1645mm	64.76in	1625mm	63.98in	10mm	0.39in	32.50	1852
m1687	i0066	1687mm	66.40in	1667mm	65.62in	10mm	0.39in	33.33	1900
m1728	i0068	1728mm	68.04in	1708mm	67.26in	10mm	0.39in	34.17	1947
m1770	i0070	1770mm	69.69in	1750mm	68.90in	10mm	0.39in	35.00	1995
m1812	i0071	1812mm	71.33in	1792mm	70.54in	10mm	0.39in	35.83	2042
m1853	i0073	1853mm	72.97in	1833mm	72.18in	10mm	0.39in	36.67	2090

MIMI Glow R020

Length Availability List



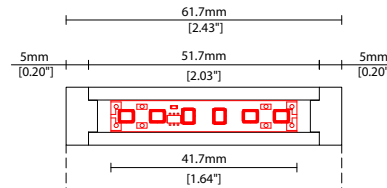
Length Code		Fixture Length ¹		LED Strip ²		End Cap Dimension		Wattage (W)	Output (lm) 3000K (Test Data)
Metric	Imperial(US)	Metric	Imperial(US)	Metric	Imperial(US)	Metric	Imperial(US)		
m1895	i0075	1895mm	74.61in	1875mm	73.82in	10mm	0.39in	37.50	2137
m1937	i0076	1937mm	76.25in	1917mm	75.46in	10mm	0.39in	38.33	2185
m1978	i0078	1978mm	77.89in	1958mm	77.10in	10mm	0.39in	39.17	2232
m2020	i0080	2020mm	79.53in	2000mm	78.74in	10mm	0.39in	40.00	2280

¹ Actual total overall length of light fixture (LED strip + end caps + void/wire hole)

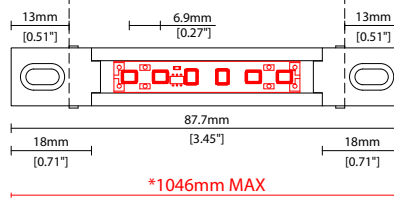
² Actual length of PCB strip

³ Actual length of 2x end caps

Standard End Caps (SB)



*End Cap Brackets (EB)
Increases overall standard length by 26mm (2x13mm)



***IMPORTANT NOTE:**
DUE TO POTENTIAL PROFILE 'SAGGING' THE MAX LENGTH AVAILABLE WITH END CAP BRACKETS IS 1046mm.

Linear

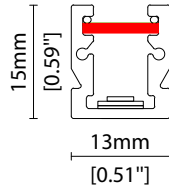
MIMI Glow R020

Options

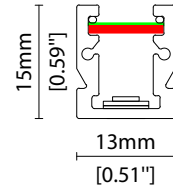
KKDC

COVER/LENS OPTIONS

* Options are an integral part of the fixture ordering codes. Please refer to **Code Table** pages.

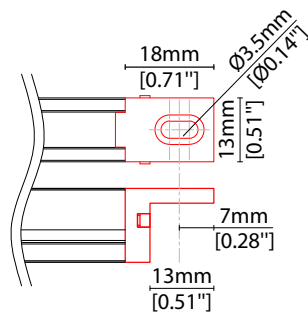


C Diffused Cover
Polycarbonate finish
W13/H15mm (W0.51"/H0.59")



CN Diffused Cover + Nano Louvre
Polycarbonate cover with anti-glare, 30° cut-off view angle
W13/H15mm (W0.51"/H0.59")

END CAP OPTION



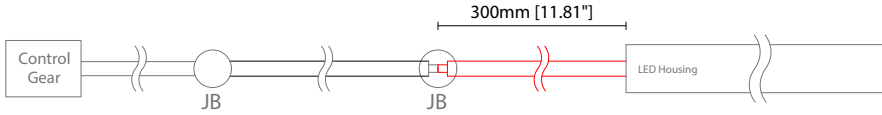
EB End Cap Bracket (Pair)
Handrail installation
Compatible up to 1m/40"
L18/W13/H15mm
(L0.7/W0.51/H0.59")

Key

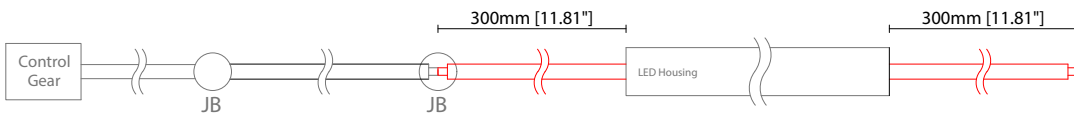
Control Gear Power supply, sub-controllers & control systems
JB Junction box / cable connection

POWER FEED OPTIONS

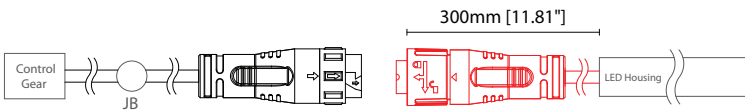
0300 S00A 300mm (11.81") Single Ø4.3mm sheath tail



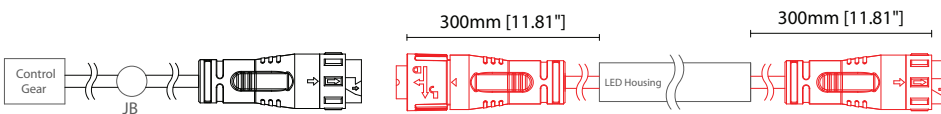
0300 D00A 300mm (11.81") Double Ø4.3mm sheath tail



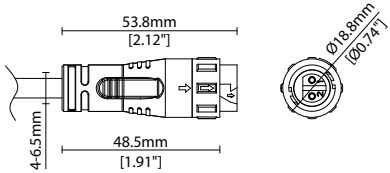
0300 S67A 300mm (11.81") Single Ø4.3mm sheath IP67 connector



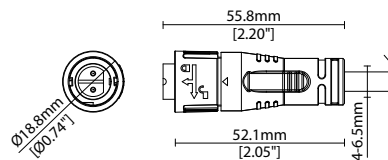
0300 D67A 300mm (11.81") Double Ø4.3mm sheath IP67 connector



2 Pin Female Connector IP67 (Premoulded)



2 Pin Male Connector IP67 (Premoulded)



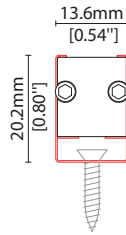
MOUNTING ACCESSORIES

Note: Accessories are to be ordered separately with corresponding code shown below.



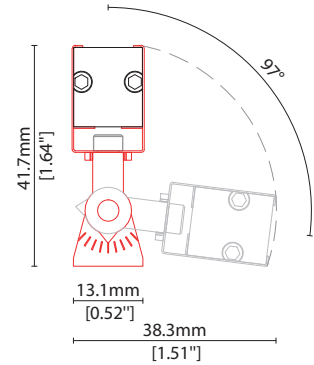
KKCP-14

Lock clip (allow 2 per metre/40in)
S/Steel finish
L25/W13.6/H20.2mm
(L0.98/W0.54/H0.80")

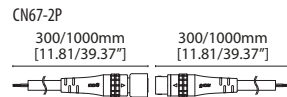


KKBK-24

Adjustable bracket
(allow 2 per metre/40in)
S/Steel finish
L36.5/W13/H41.7mm
(L1.44/W0.51/H1.64")



POWER FEED



IP67

CN67-2P-0300 300mm (11.81in) pair
CN67-2P-1000 1000mm (39.37in) pair
IP67
2 PIN male + female connector set



IP67

CN67-2P-3000 3000mm (118.11in) pair
IP67
2 PIN male + female connector set

EXTERIOR JUNCTION BOXES



KKJB-07

IP67 Slim J-Box
(including type A,B,C, D bushings)



KKJB-07R

Potting resin for IP67 Slim J-Box

KKDC CONTROL



IP20
Plastic housing
L170/W59/H29mm
(L6.69/W2.32/H1.14in)

KKDM-06 1-10V

visDIM dimmable sub-controller
(4 x 8A max @ 12-36V)



IP20
Plastic housing
L170/W53.4/H28mm
(L6.69/W2.10/H1.10in)

KKSC-05 DMX

visDIM dimmable sub-controller
(4 x 5A max @ 12-36V)



IP20
Plastic housing
L170/W59/H29mm
(L6.69/W2.32/H1.14in)

KKDL-02 DALI

visDIM dimmable sub-controller
(4 x 8A max @ 12-36V)



IP20
Plastic housing
L166/W53.4/H23mm
(L6.54/W2.10/H0.91in)

KKDL-03 DALI

visDIM dimmable sub-controller
(4 x 5A max @ 12-36V)

AVAILABLE PSU OPTIONS

Control Mode	PSU (Order Code)	Input Voltage AC	Output Voltage DC	Rated Output Current	Rated Power	Dim %	IP Rating
Switched	CEN-60-24	90-295V	24V	2.5A	60W	-	IP67
	HLG-60H-24	90-305V	24V	2.5A	60W	-	IP67
	HLG-100H-24	90-305V	24V	4.0A	100W	-	IP67
	HLG-150H-24	90-305V	24V	6.3A	150W	-	IP67
	HLG-240H-24	90-305V	24V	10A	240W	-	IP67
0-10V (1-10V)	PWM-40-24	90-305V	24V	1.67A	40W	100-0.15 (100-10)	IP67
	PWM-60-24	90-305V	24V	2.5A	60W	100-0.15 (100-10)	IP67
	PWM-90-24	90-305V	24V	3.67A	90W	100-0.15 (100-10)	IP67
	PWM-120-24	90-305V	24V	5.0A	120W	100-0.15 (100-10)	IP67
DALI	LIN100A1	120-277V	24V	1A per channel	100W	100-0.1	IP66/IP40
DMX RGB	LIN100A1	120-277V	24V	1.33A per channel	100W	100-0.1	IP66/IP40
DMX RGBW	LIN100A1	120-277A	24V	1A per channel	100W	100-0.1	IP66/IP40

Flicker Free Options - Combination of PSU+ sub-controller

Control Mode	PSU (Order Code)	Sub-controller (Order Code)	Input Voltage AC	Output Voltage DC	Rated Output Current	Rated Power	Dim %	IP Rating PSU/ Sub-controller
0-10V or 1-10V	CEN-60-24	KKDM-06	90-295V	24V	2.5A	60W	100-0.9	IP67/IP20
	HLG-60H-24	KKDM-06	90-295V	24V	2.5A	60W	100-0.9	IP67/IP20
	HLG-100H-24	KKDM-06	90-295V	24V	4.0A	100W	100-0.9	IP67/IP20
	HLG-150H-24	KKDM-06	90-295V	24V	6.3A	150W	100-0.9	IP67/IP20
	HLG-240H-24	KKDM-06	90-295V	24V	10.0A	240W	100-0.9	IP67/IP20
DALI	CEN-60-24	KKDL-02/03	90-295V	24V	2.5A	60W	100-0.1	IP67/IP20
	HLG-60H-24	KKDL-02/03	90-305V	24V	2.5A	60W	100-0.1	IP67/IP20
	HLG-100H-24	KKDL-02/03	90-305V	24V	4.0A	100W	100-0.1	IP67/IP20
	HLG-150H-24	KKDL-02/03	90-305V	24V	6.3A	150W	100-0.1	IP67/IP20
	HLG-240H-24	KKDL-02/03	90-305V	24V	10.0A	240W	100-0.1	IP67/IP20
DMX RGB	CEN-60-24	KKSC-05	90-295V	24V	2.5A	60W	100-0.9	IP67/IP20
	HLG-60H-24	KKSC-05	90-305V	24V	2.5A	60W	100-0.9	IP67/IP20
	HLG-100H-24	KKSC-05	90-305V	24V	4A	100W	100-0.9	IP67/IP20
	HLG-150H-24	KKSC-05	90-305V	24V	6.3A	150W	100-0.9	IP67/IP20
	HLG-240H-24	KKSC-05	90-305V	24V	10.0A	240W	100-0.9	IP67/IP20

¹ The items shown above cover the most frequently used specification but does not exhaust the possible options

² PSU and/or driver can be chosen from the table, or KKDC may recommend the best option upon receipt of the controls requirement and installation environment

³ Electrical shop drawing will include detailed information of PSU and relevant control drivers

⁴ Cut sheets are available on the controls section of www.kkdc.lighting or upon request